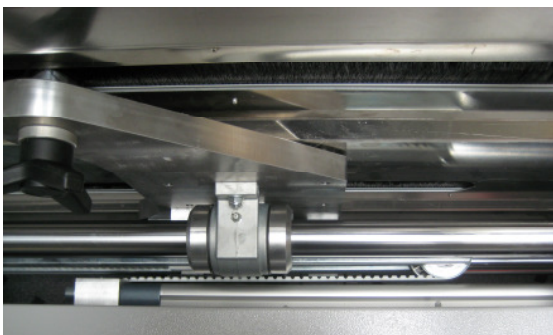
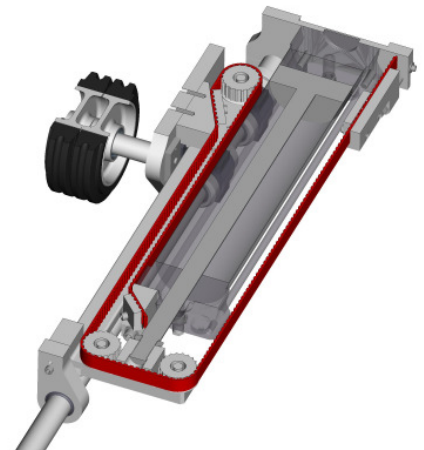


Pneumatic unit for wire saws

The new EDT EURODIMA pneumatic unit is equipped with an optimised strap deflexion system: no pneumatic cylinder without piston rods, no moving out over the total machine dimensions. Instead of two, only one pneumatic cylinder is needed. That cylinder is maintenance-free.

The new bearing type (ball bearings) in the feed slide causes an increase in performance of up to 20 %.

The new pneumatic unit can be installed into every EDT EURODIMA wire saw of type S12, wb12, wb12s and wb12t.



Feed slide

Technical layout and belt arrangement

